



PERFORMANCE PLUS

ENGINEERED AND BUILT BY

HOT WATER HEAT PUMPS LTD

Advancing Water Heat Pump Technology

SINCE 1980

**Titanium Series
Pool & Spa**



Specifications



REV14.04

Hot Water Heat Pumps Ltd

Specifications



Revision Date
Feb 2014

Hot Water Heat Pumps Ltd products are engineered and build
in New Zealand using local and imported materials

7GP Series

Single Phase Model	7GP7-1	7GP11-1	7GP14-1	7GP17-1	7GP20-1	7GP23-1
						
Heating - kW Output - Pool ^{*1}	7	11	14	17	20	23
Heating - kW Output - Spa ^{*2}	5	8	9	11	14	16
kW Input	1.4	2.2	2.8	3.4	4.0	4.6
Phase	Single	Single	Single	Single	Single	Single
Required D - Curve Circuit breaker Amps	16	25	25	25	32	32
Nominal Compressor Run Amps	7	10.3	11.8	15.1	15.1	20.3
Fan Full Load Amps	0.83	0.83	0.9	0.90	0.94	0.90(x2)
Flow Rate - Litre/Second	1.4	1.6	2.1	2.4	2.9	3.4
Water Connections	40mm PVC Socket	40mm PVC Socket	40mm PVC Socket	40mm PVC Socket	50mm PVC Socket	50mm PVC Socket
Heat Pump Dimensions LxWxH - mm ^{*8}	890 x 355 x 1025	950 x 355 x 1065	1030 x 380 x 1070	1030 x 380 x 1170	1400 x 500 x 870	1450 x 500 x 1120
Weight - Kg	90	95	100	125	135	155
Air volume @ High Speed Litre/Sec	1000	1000	1050	1100	1600	1800
Sound Pressure Level ^{*9} , high dB(A)	47/48	48 / 49	50 / 51	51/52	51/53	54/55

Three Phase Model	7GP17-3	7GP20-3	7GP23-3	7GP25-3	7GP30-3	7GP35-3
						
Heating - kW Output - Pool ^{*1}	17	20	23	25	30	35
Heating - kW Output - Spa ^{*2}	11	14	16	18	24	27
kW Input	3.4	4.0	4.6	5.0	6.0	7.0
Phase	Three	Three	Three	Three	Three	Three
Required D - Curve Circuit breaker Amps	20	20	25	25	25	32
Nominal Compressor Run Amps	5.3/Phase	6.8/Phase	7.1/Phase	7.8/Phase	11.0/Phase	13.7/Phase
Fan Full Load Amps	0.90	0.94	0.90(x2)	0.90(x2)	0.83(x2)	0.94(x2)
Flow Rate - Litre/Second	2.4	2.9	3.4	4.0	4.0	5.0
Water Connections	40mm PVC Socket	50mm PVC Socket	50mm PVC Socket	50mm PVC Socket	50mm PVC Socket	50mm PVC Socket
Heat Pump Dimensions LxWxH - mm ^{*8}	1030 x 380 x 1170	1400 x 500 x 870	1450 x 500 x 1120	1450 x 500 x 1120	1595 x 623 x 1195	2060 x 560 x 1380
Weight - Kg	125	135	155	165	185	245
Air volume @ High Speed Litre/Sec	1100	1600	1800	1800	2000	3200
Sound Pressure Level ^{*9} , high dB(A)	51/52	51/53	54/55	52/54	51/53	54 / 56

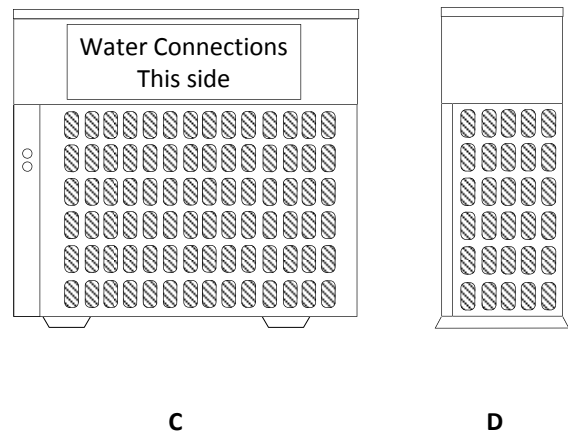
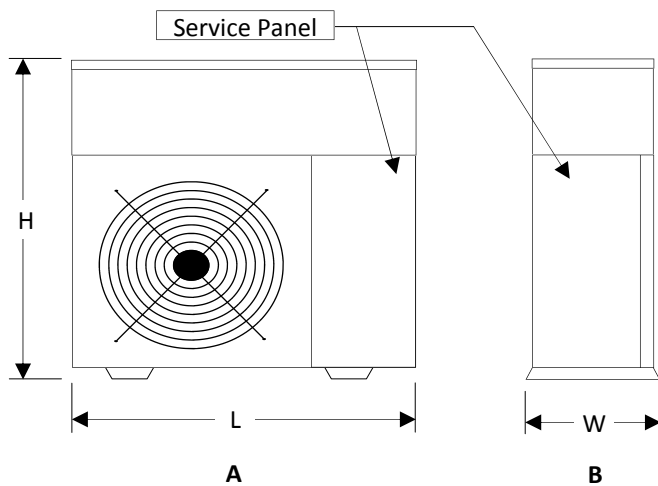
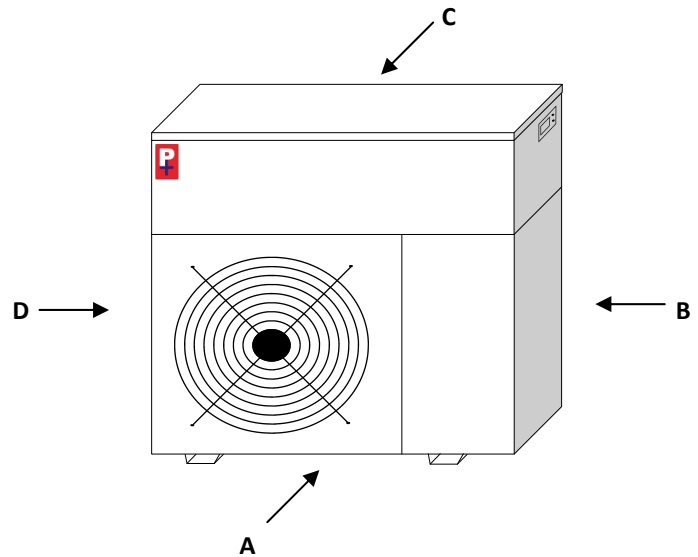
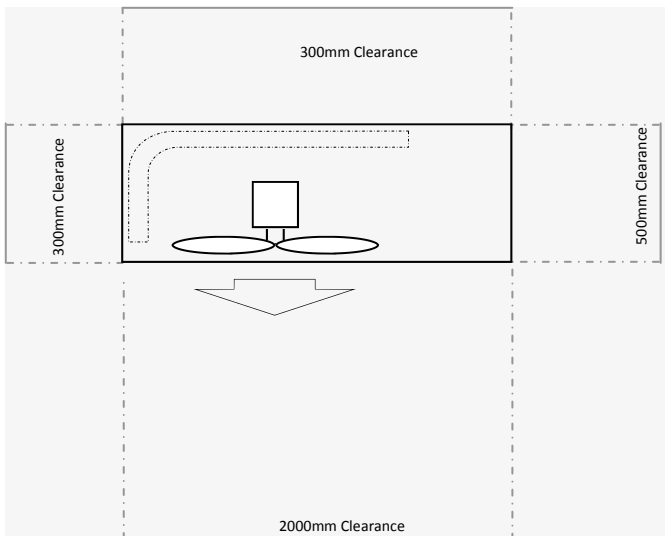
Three Phase Model	7GP50-3	7GP65-3	7GP70-3	7GP100-3	7GP120-3	7GP140-3
						
Heating - kW Output - Pool ^{*4}	50	65	70	100	120	140
Heating - kW Output - Spa ^{*5}	33	42	53	63	85	95
kW Input	10.0	13.0	14.0	20.0	24.0	28.0
Phase	Three	Three	Three	Three	Three	Three
Required D - Curve Circuit breaker Amps	32	32	40	63	80	80
Nominal Compressor Run Amps	14.7/Phase	20.0/Phase	14.0/Phase (x2)	15.2/Phase (x2)	20.0/Phase (x2)	24.5/Phase (x2)
Fan Full Load Amps	1.70(x2)	2.37/Phase	1.70(x4)	1.70(x4)	3.00(x4)	3.00(x4)
Flow Rate - Litre/Second	Application Specific	Application Specific	Application Specific	Application Specific	Application Specific	Application Specific
Water Connections	Application Specific	Application Specific	Application Specific	Application Specific	Application Specific	Application Specific
Heat Pump Dimensions LxWxH - mm ^{*8}	1680 x 825 x 1195	1910 x 1295 x 1890	1755 x 1480 x 1200	1755 x 1480 x 1200	2300 x 1680 x 1210	2300 x 1680 x 1210
Weight - Kg	300	350	490	510	620	630
Air volume @ High Speed Litre/Sec	3500	4500	5300	5300	8000	8000
Sound Pressure Level ^{*9} , high dB(A)	56 / 63	56 / 63	63 / 64	63 / 64	66	66

Note:

- ^{*1} kW Output values are nominal ratings based on 18°C Wet Bulb and 28°C water temperature.
- ^{*2} kW Output values are nominal ratings based on 8°C Dry Bulb and 38°C water temperature.
- ^{*4} kW Output values are nominal ratings based on 12°C Evaporating and 38°C Condensing Temperature.
- ^{*5} kW Output values are nominal ratings based on 0°C Evaporating 50°C Condensing Temperature.
- ^{*8} Dual Purpose Heat Pump Dimensions may vary
- ^{*9} Sound Pressure Measured at 3m in decibels re 20 µPa.



Models: 7GP7-1 • 7GP11-1 • 7GP14-1 • 7GP17-1 • 7GP17-3



Model	7GP7-1	7GP11-1	7GP14-1	7GP17-1	7GP17-3
Heating - kW Output - Pool ^{*1}	7	11	14	17	17
Heating - kW Output - Spa ^{*2}	5	8	9	11	11
kW Input	1.4	2.2	2.8	3.4	3.4
Phase	Single	Single	Single	Single	Three
Recommended D - Curve Circuit breaker Amps	16	20	25	25	20
Nominal Compressor Run Amps	7	10.3	11.8	15.1	5.3/Phase
Fan Full Load Amps	0.83	0.83	0.9	0.90	0.90
Flow Rate - Litre/Second	1.4	1.6	2.1	2.4	2.4
Water Connections	40mm PVC Socket	40mm PVC Socket	40mm PVC Socket	40mm PVC Socket	40mm PVC Socket
Heat Pump Dimensions LxWxH - mm ^{*8}	890 x 355 x 1025	950 x 355 x 1065	1030 x 380 x 1070	1030 x 380 x 1170	1030 x 380 x 1170
Weight - Kg	90	95	100	125	125
Air volume @ High Speed Litre/Sec	1000	1000	1050	1100	1100
Sound Pressure Level ^{*9} , high dB(A)	47/48	48 / 49	50 / 51	51/52	51/52

Note:

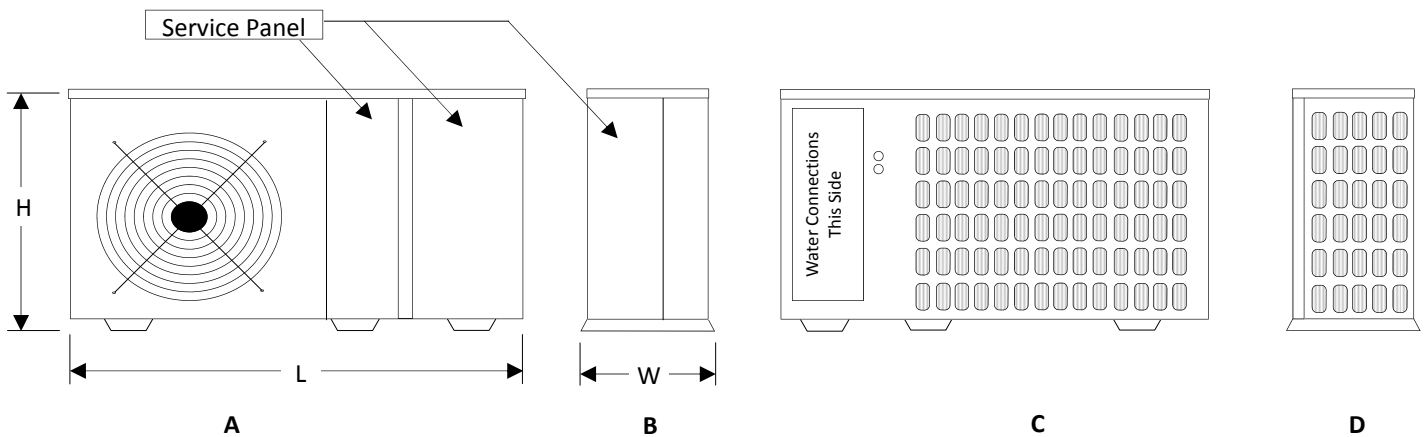
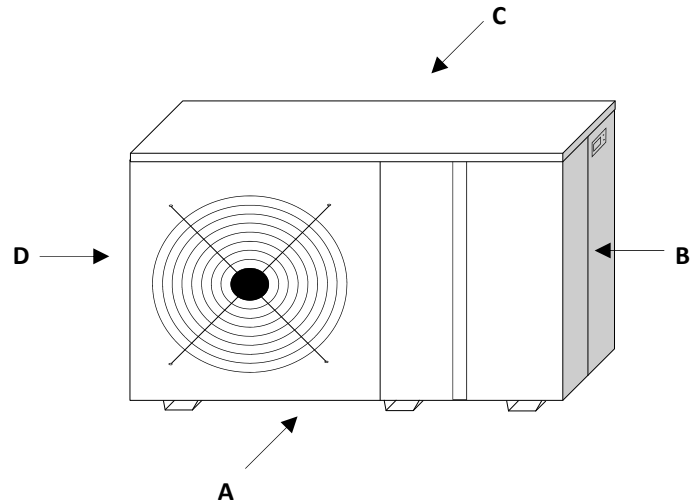
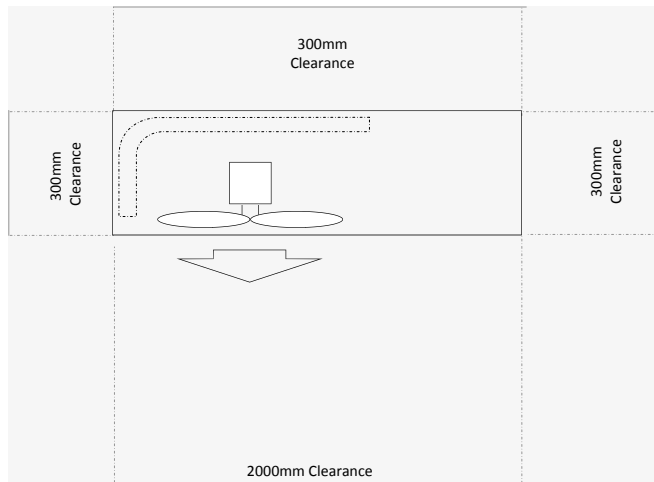
^{*1} kW Output values are nominal ratings based on 18°C Wet Bulb and 28°C water temperature.

^{*2} kW Output values are nominal ratings based on 8°C Dry Bulb and 38°C water temperature.

^{*8} Dual Purpose Heat Pump Dimensions may vary

^{*9} Sound Pressure Measured at 3m in decibels re 20 µPa.

Models: 7GP20-1 • 7GP20-3

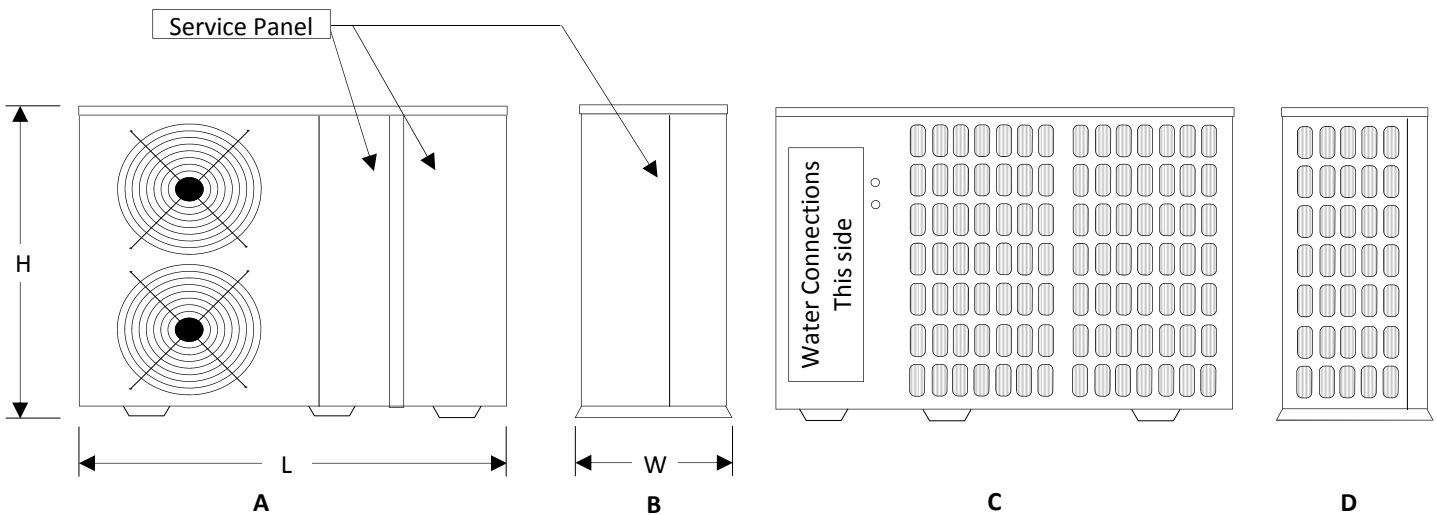
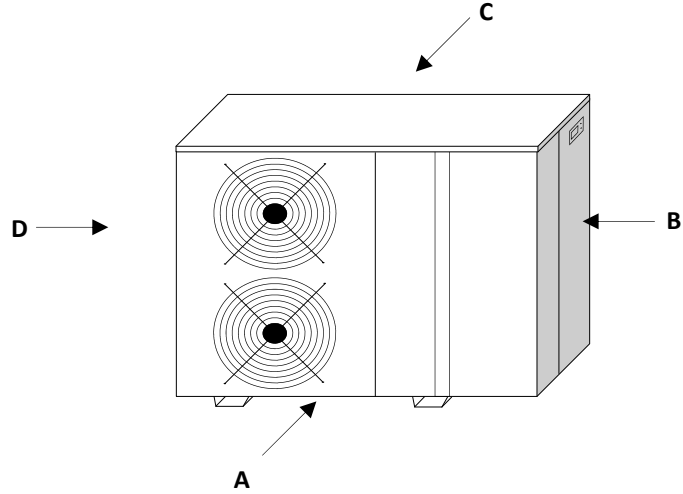
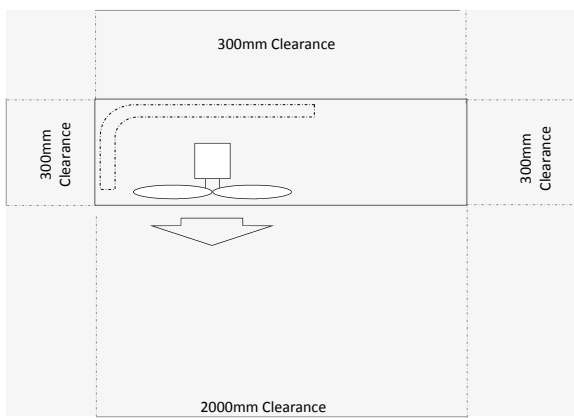


Model	7GP20-1	7GP20-3
Heating - kW Output - Pool ^{*1}	20	20
Heating - kW Output - Spa ^{*2}	14	14
kW Input	4.0	4.0
Phase	Single	Three
Recommended D - Curve Circuit breaker Amps	32	20
Nominal Compressor Run Amps	15.1	6.8/Phase
Fan Full Load Amps	0.94	0.94
Flow Rate - Litre/Second	2.9	2.9
Water Connections	50mm PVC Socket	50mm PVC Socket
Heat Pump Dimensions LxWxH - mm ^{*8}	1400 x 500 x 870	1400 x 500 x 870
Weight - Kg	135	135
Air volume @ High Speed Litre/Sec	1600	1600
Sound Pressure Level ^{*9} , high dB(A)	51/53	51/53

Note:

- ^{*1} kW Output values are nominal ratings based on 18°C Wet Bulb and 28°C water temperature.
- ^{*2} kW Output values are nominal ratings based on 8°C Dry Bulb and 38°C water temperature.
- ^{*8} Dual Purpose Heat Pump Dimensions may vary
- ^{*9} Sound Pressure Measured at 3m in decibels re 20 µPa.

Models: 7GP23-1 • 7GP23-3 • 7GP25-3

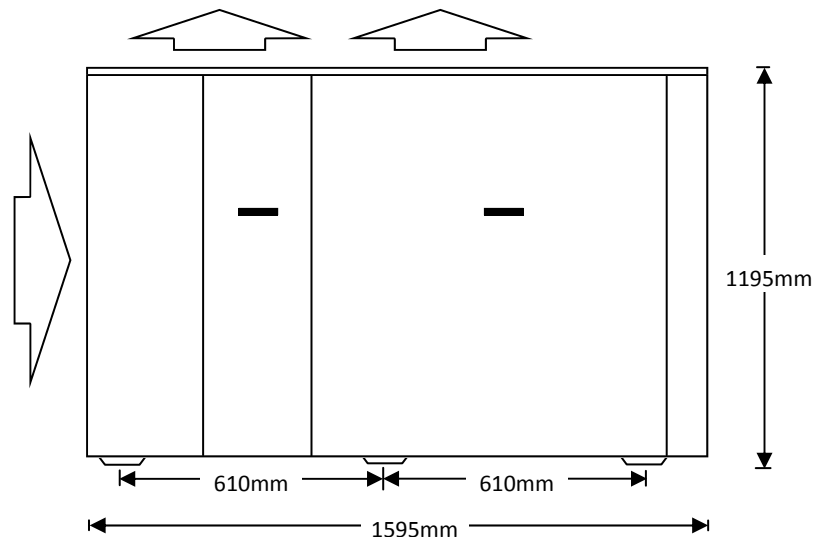
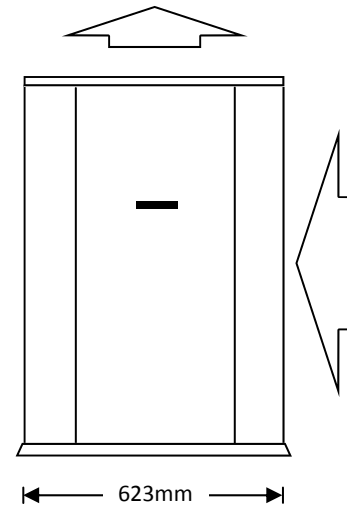
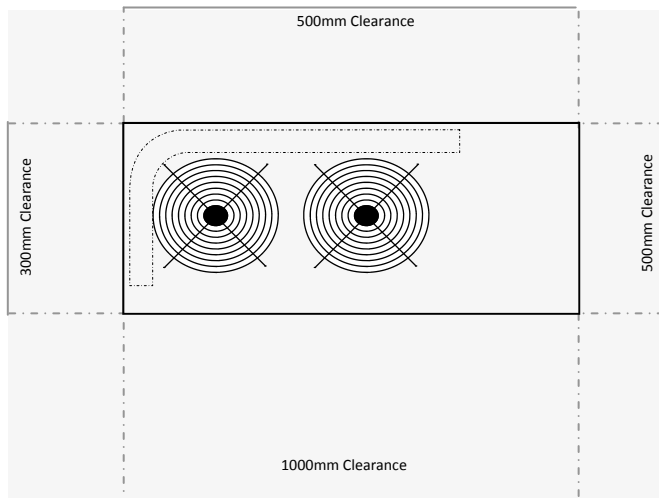


Model	7GP23-1	7GP23-3 (DISCONTINUED)	7GP25-3
Heating - kW Output - Pool * ¹	23	23	25
Heating - kW Output - Spa * ²	16	16	18
kW Input	4.6	4.6	5.0
Phase	Single	Three	Three
Recommended D - Curve Circuit breaker Amps	32	25	25
Nominal Compressor Run Amps	20.3	7.1/Phase	7.8/Phase
Fan Full Load Amps	0.90(x2)	0.90(x2)	0.90(x2)
Flow Rate - Litre/Second	3.4	3.4	4.0
Water Connections	50mm PVC Socket	50mm PVC Socket	50mm PVC Socket
Heat Pump Dimensions LxWxH - mm * ⁸	1450 x 500 x 1120	1450 x 500 x 1120	1450 x 500 x 1120
Weight - Kg	155	155	165
Air volume @ High Speed Litre/Sec	1800	1800	1800
Sound Pressure Level * ⁹ , high dB(A)	54/55	54/55	52/54

Note:

- *¹ kW Output values are nominal ratings based on 18°C Wet Bulb and 28°C water temperature.
- *² kW Output values are nominal ratings based on 8°C Dry Bulb and 38°C water temperature.
- *⁸ Dual Purpose Heat Pump Dimensions may vary
- *⁹ Sound Pressure Measured at 3m in decibels re 20 µPa.

Models: 7GP30-3

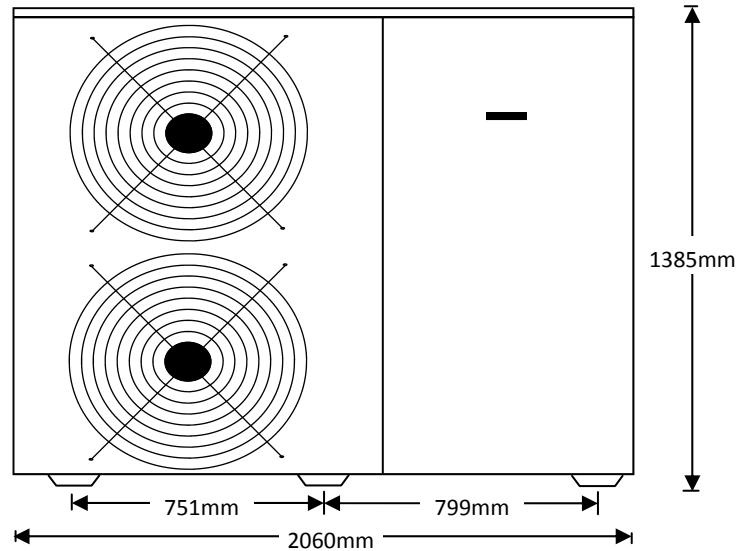
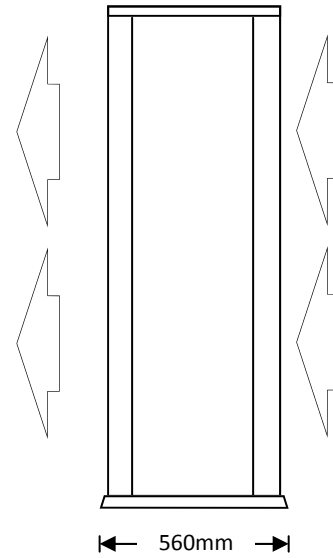
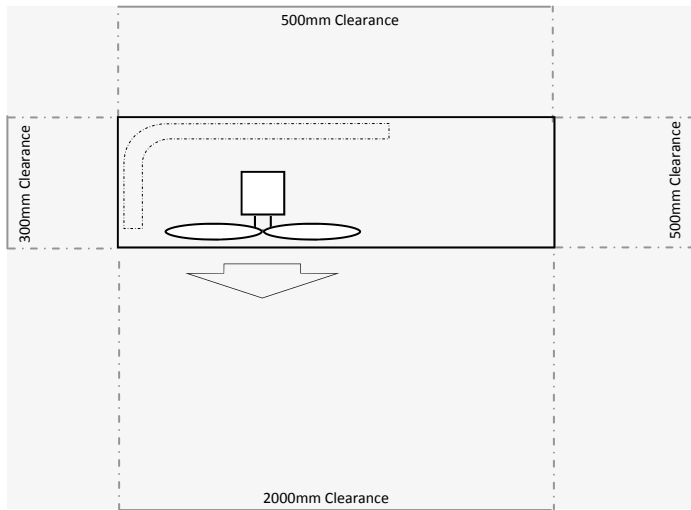


Model	7GP30-3
Heating - kW Output - Pool ^{*1}	30
Heating - kW Output - Spa ^{*2}	24
kW Input	6.0
Phase	Three
Recommended D - Curve Circuit breaker Amps	25
Nominal Compressor Run Amps	11.0/Phase
Fan Full Load Amps	0.83(x2)
Flow Rate - Litre/Second	4.0
Water Connections	50mm PVC Socket
Heat Pump Dimensions LxWxH - mm ^{*8}	1595 x 623 x 1195
Weight - Kg	185
Air volume @ High Speed Litre/Sec	2000
Sound Pressure Level ^{*9} , high dB(A)	51/53

Note:

- ^{*1} kW Output values are nominal ratings based on 18°C Wet Bulb and 28°C water temperature.
- ^{*2} kW Output values are nominal ratings based on 8°C Dry Bulb and 38°C water temperature.
- ^{*8} Dual Purpose Heat Pump Dimensions may vary
- ^{*9} Sound Pressure Measured at 3m in decibels re 20 µPa.

Models: 7GP35-3

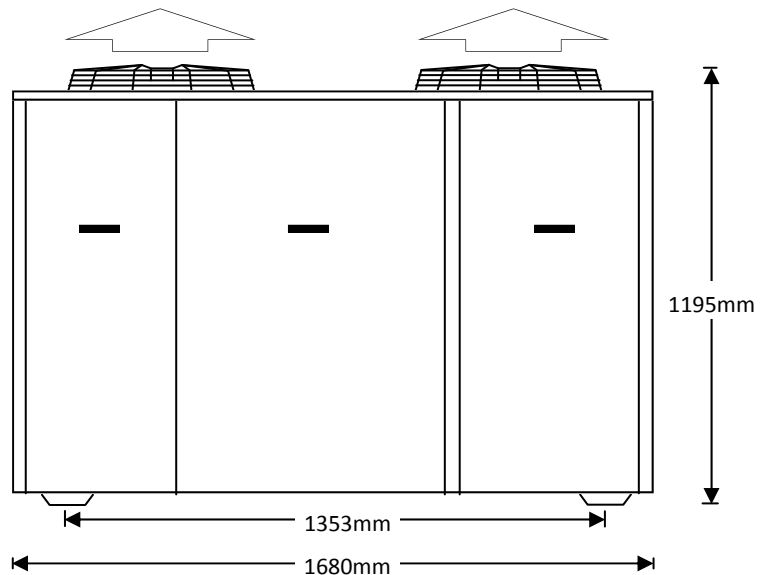
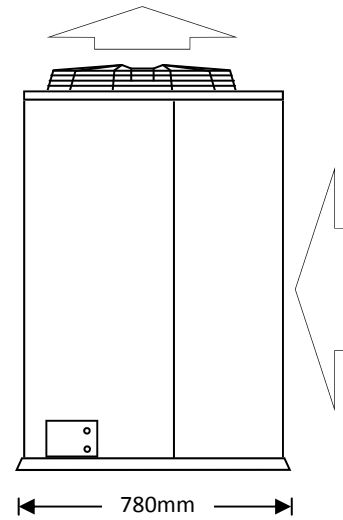
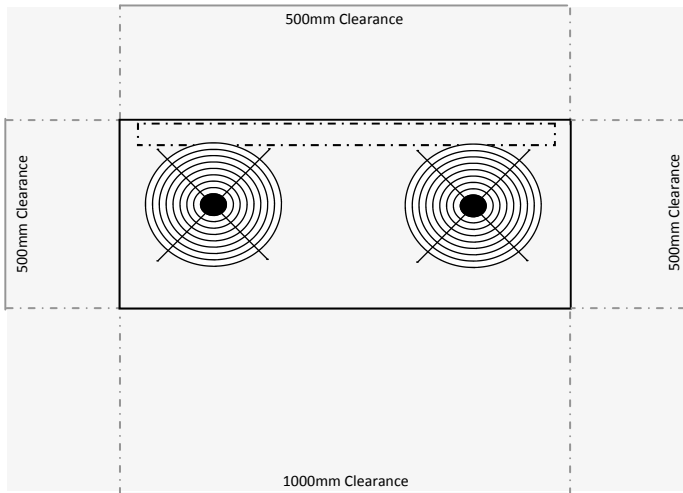


Model	7GP35-3
Heating - kW Output - Pool ^{*1}	35
Heating - kW Output - Spa ^{*2}	27
kW Input	7.0
Phase	Three
Recommended D - Curve Circuit breaker Amps	32
Nominal Compressor Run Amps	13.7/Phase
Fan Full Load Amps	0.94(x2)
Flow Rate - Litre/Second	5.0
Water Connections	50mm PVC Socket
Heat Pump Dimensions LxWxH - mm ^{*8}	2060 x 560 x 1380
Weight - Kg	245
Air volume @ High Speed Litre/Sec	3200
Sound Pressure Level ^{*9} , high dB(A)	54 / 56

Note:

- ^{*1} kW Output values are nominal ratings based on 18°C Wet Bulb and 28°C water temperature.
- ^{*2} kW Output values are nominal ratings based on 8°C Dry Bulb and 38°C water temperature.
- ^{*8} Dual Purpose Heat Pump Dimensions may vary
- ^{*9} Sound Pressure Measured at 3m in decibels re 20 µPa.

Models: 7GP50-3

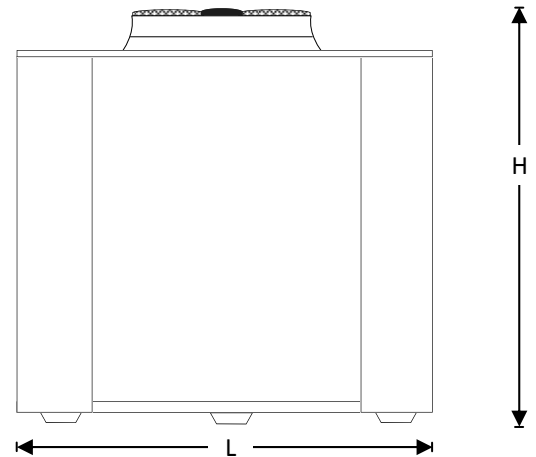
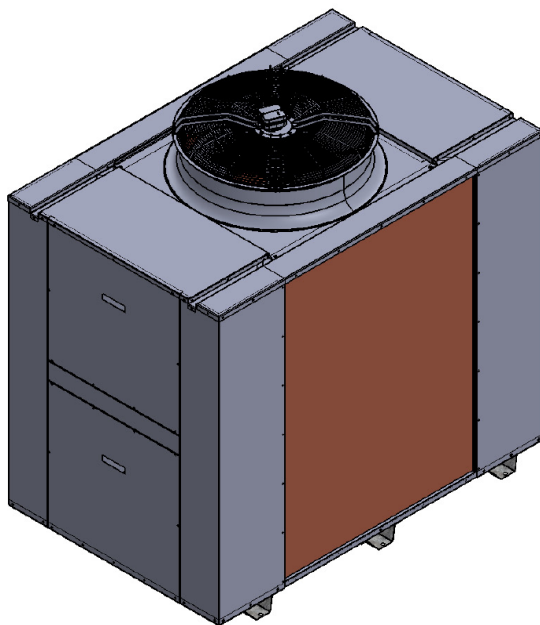
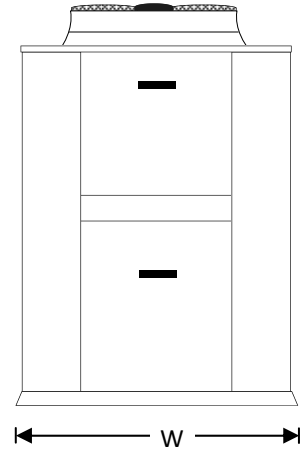
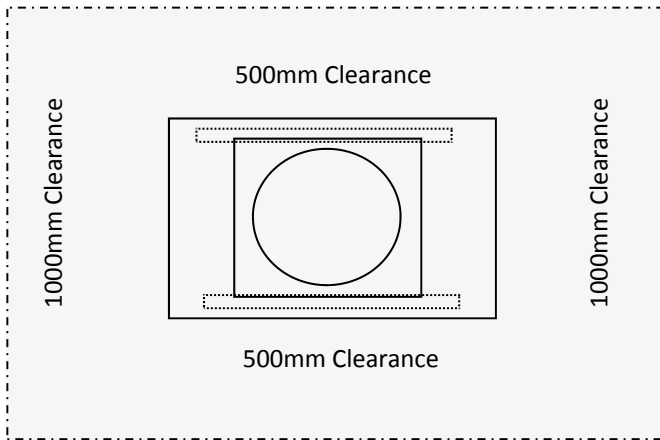


Model	7GP50-3
Heating - kW Output - Pool ^{*4}	50
Heating - kW Output - Spa ^{*5}	33
kW Input	10.0
Phase	Three
Recommended D - Curve Circuit breaker Amps	32
Nominal Compressor Run Amps	14.7/Phase
Fan Full Load Amps	1.70(x2)
Flow Rate - Litre/Second	5.0
Water Connections	50mm PVC Socket
Heat Pump Dimensions LxWxH - mm ^{*8}	1680 x 825 x 1195
Weight - Kg	300
Air volume @ High Speed Litre/Sec	3500
Sound Pressure Level ^{*9} , high dB(A)	56 / 63

Note:

- ^{*4} kW Output values are nominal ratings based on 12°C Evaporating and 38°C Condensing Temperature.
- ^{*5} kW Output values are nominal ratings based on 0°C Evaporating 50°C Condensing Temperature.
- ^{*8} Dual Purpose Heat Pump Dimensions may vary
- ^{*9} Sound Pressure Measured at 3m in decibels re 20 µPa.

Models: 7GP65-3

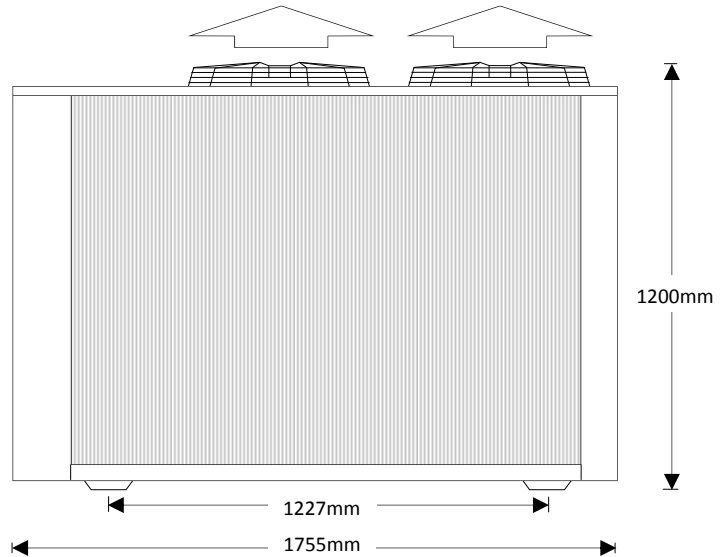
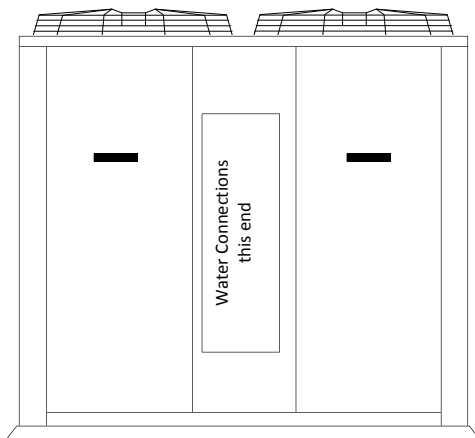
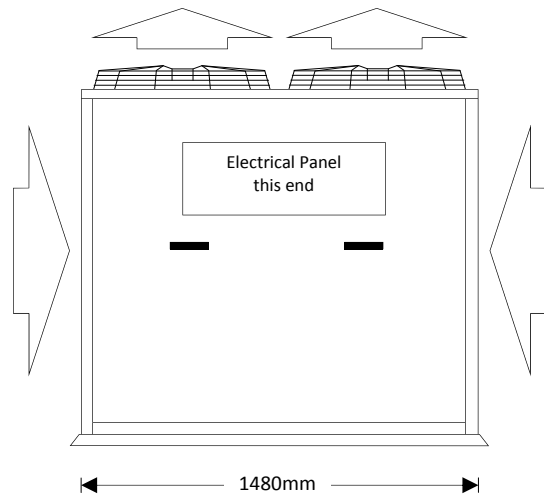
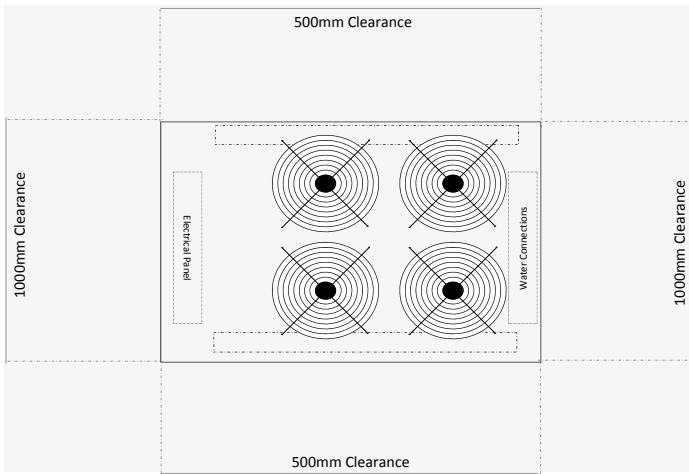


Model	7GP65-3
Heating - kW Output - Pool ^{*4}	65
Heating - kW Output - Spa ^{*5}	45
kW Input	13
Phase	Three
Recommended D - Curve Circuit breaker Amps	40
Nominal Compressor Run Amps	20.0/phase
Fan Full Load Amps	2.37/phase
Flow Rate - Litre/Second	Application Specific
Water Connections	Application Specific
Heat Pump Dimensions LxWxH - mm ^{*8}	1910 x 1295 x 1890
Weight - Kg	450
Air volume @ High Speed Litre/Sec	4700
Sound Pressure Level ^{*9} , high dB(A)	63

Note:

- ^{*4} kW Output values are nominal ratings based on 12°C Evaporating and 38°C Condensing Temperature.
- ^{*5} kW Output values are nominal ratings based on 0°C Evaporating 50°C Condensing Temperature.
- ^{*8} Dual Purpose Heat Pump Dimensions may vary
- ^{*9} Sound Pressure Measured at 3m in decibels re 20 µPa.

Models: 7GP70-3 • 7GP100-3

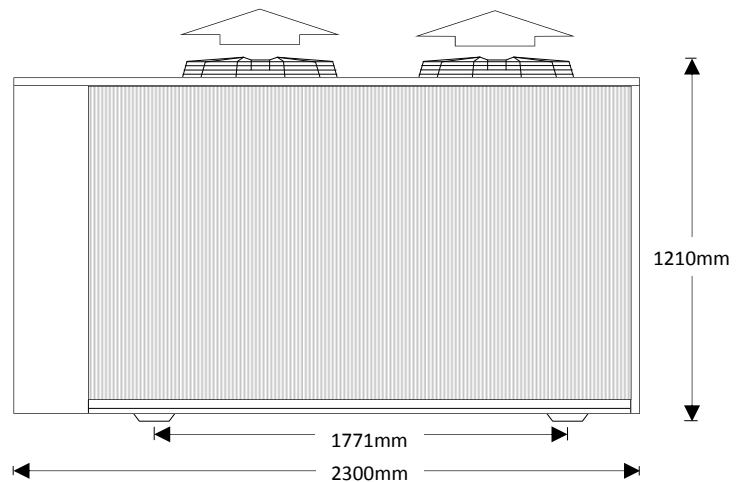
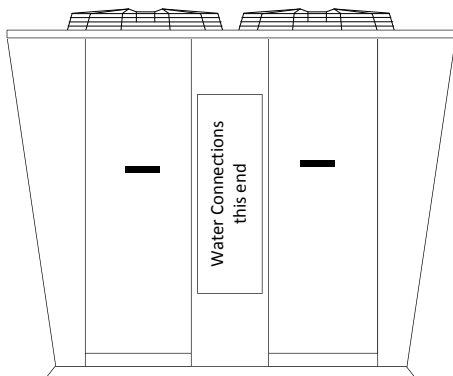
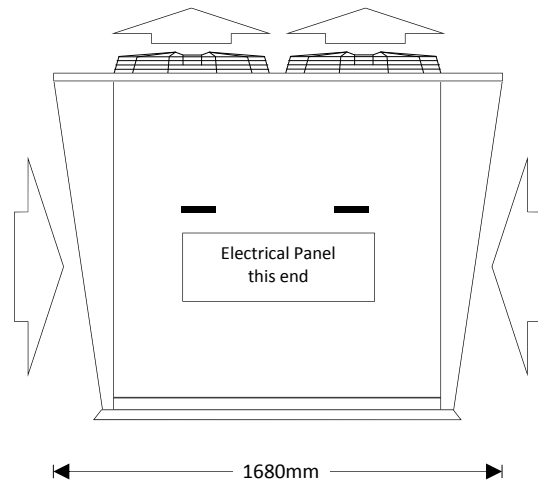
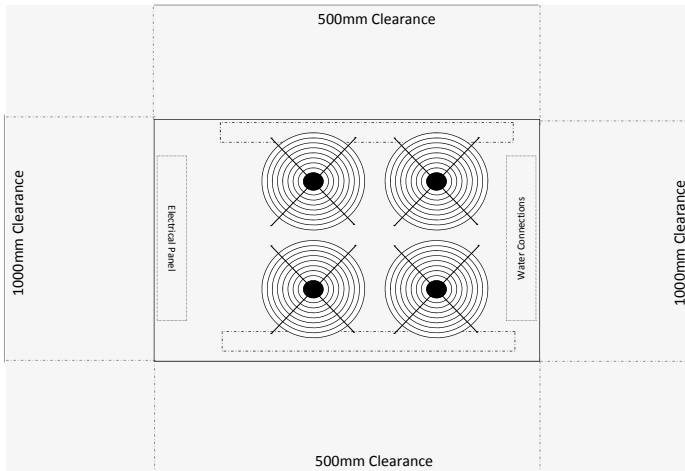


Model	7GP70-3	7GP100-3
Heating - kW Output - Pool * ⁴	70	100
Heating - kW Output - Spa * ⁵	53	63
kW Input	14.0	20.0
Phase	Three	Three
Recommended D - Curve Circuit breaker Amps	50	63
Nominal Compressor Run Amps	14.0/Phase (x2)	15.2/Phase (x2)
Fan Full Load Amps	1.70(x4)	1.70(x4)
Flow Rate - Litre/Second	Application Specific	Application Specific
Water Connections	Application Specific	Application Specific
Heat Pump Dimensions LxWxH - mm * ⁸	1755 x 1480 x 1200	1755 x 1480 x 1200
Weight - Kg	490	510
Air volume @ High Speed Litre/Sec	5300	5300
Sound Pressure Level * ⁹ , high dB(A)	63 / 64	63 / 64

Note:

- *⁴ kW Output values are nominal ratings based on 12°C Evaporating and 38°C Condensing Temperature.
- *⁵ kW Output values are nominal ratings based on 0°C Evaporating 50°C Condensing Temperature.
- *⁸ Dual Purpose Heat Pump Dimensions may vary
- *⁹ Sound Pressure Measured at 3m in decibels re 20 µPa.

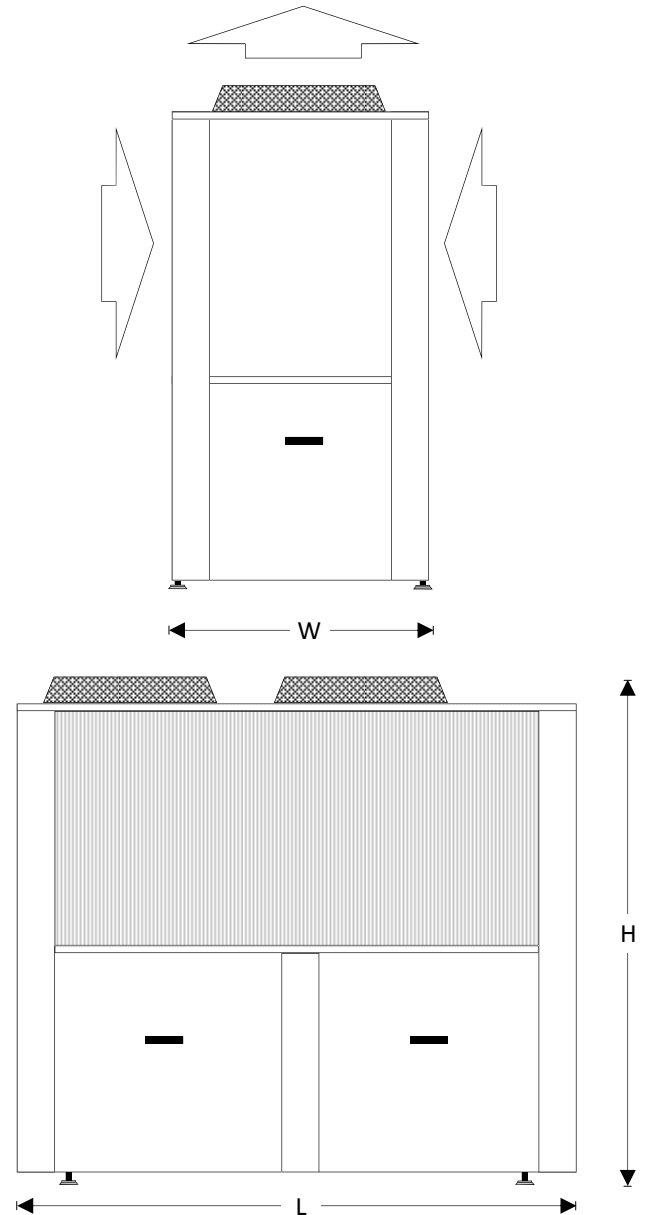
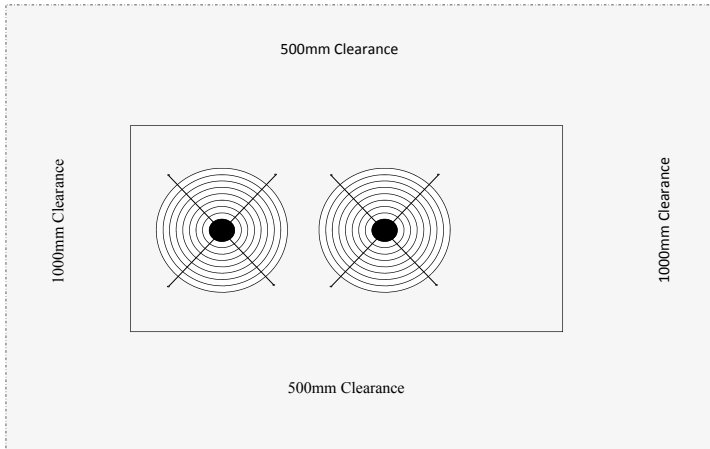
Models: 7GP120-3 • 7GP140-3



Model	7GP120-3	7GP140-3
Heating - kW Output - Pool * ⁴	120	140
Heating - kW Output - Spa * ⁵	85	95
kW Input	24.0	28.0
Phase	Three	Three
Recommended D - Curve Circuit breaker Amps	80	80
Nominal Compressor Run Amps	20.0/Phase (x2)	24.5/Phase (x2)
Fan Full Load Amps	3.00(x4)	3.00(x4)
Flow Rate - Litre/Second	Application Specific	Application Specific
Water Connections	Application Specific	Application Specific
Heat Pump Dimensions LxWxH - mm * ⁸	2300 x 1680 x 1210	2300 x 1680 x 1210
Weight - Kg	620	630
Air volume @ High Speed Litre/Sec	8000	8000
Sound Pressure Level * ⁹ , high dB(A)	66	66

Note:
 *⁴ kW Output values are nominal ratings based on 12°C Evaporating and 38°C Condensing Temperature.
 *⁵ kW Output values are nominal ratings based on 0°C Evaporating 50°C Condensing Temperature.
 *⁸ Dual Purpose Heat Pump Dimensions may vary
 *⁹ Sound Pressure Measured at 3m in decibels re 20 µPa.

Models: 7GP70-3v

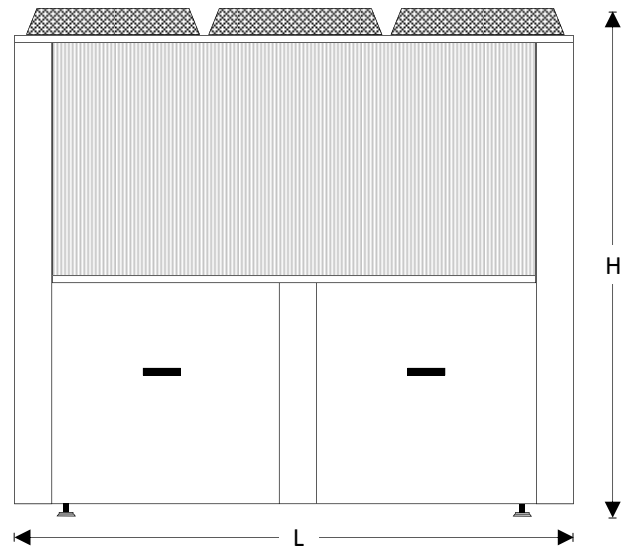
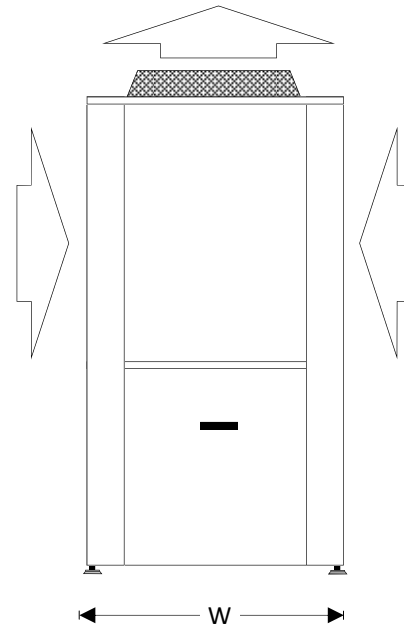
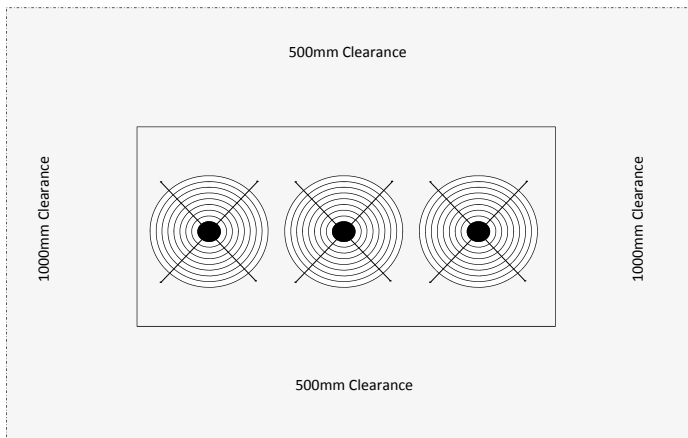


Model	7GP70-3v
Heating - kW Output - Pool ^{*4}	70
Heating - kW Output - Spa ^{*5}	53
kW Input	14.0
Phase	Three
Recommended D - Curve Circuit breaker Amps	50
Nominal Compressor Run Amps	14.0/Phase (x2)
Fan Full Load Amps	3.0 (x3)
Flow Rate - Litre/Second	Application Specific
Water Connections	Application Specific
Heat Pump Dimensions LxWxH - mm ^{*8}	1750 x 1100 x 2150
Weight - Kg	500
Air volume @ High Speed Litre/Sec	8000
Sound Pressure Level ^{*9} , high dB(A)	66

Note:

- ^{*4} kW Output values are nominal ratings based on 12°C Evaporating and 38°C Condensing Temperature.
- ^{*5} kW Output values are nominal ratings based on 0°C Evaporating 50°C Condensing Temperature.
- ^{*8} Dual Purpose Heat Pump Dimensions may vary
- ^{*9} Sound Pressure Measured at 3m in decibels re 20 µPa.

Models: 7GP100-3v • 7GP120-3v • 7GP140-3v

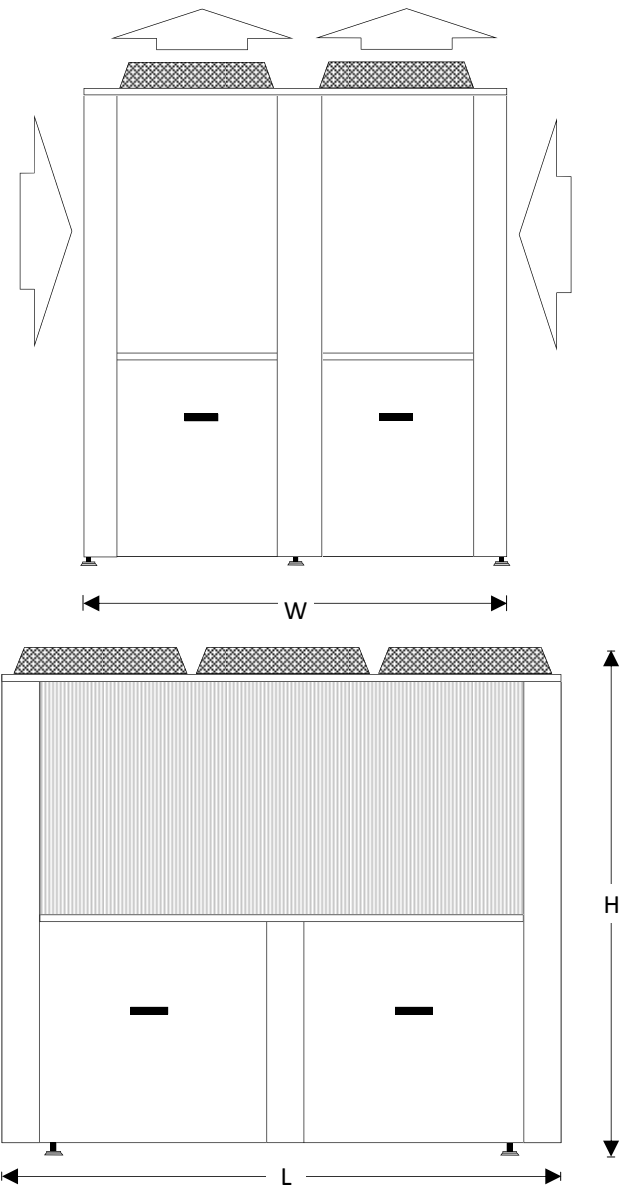
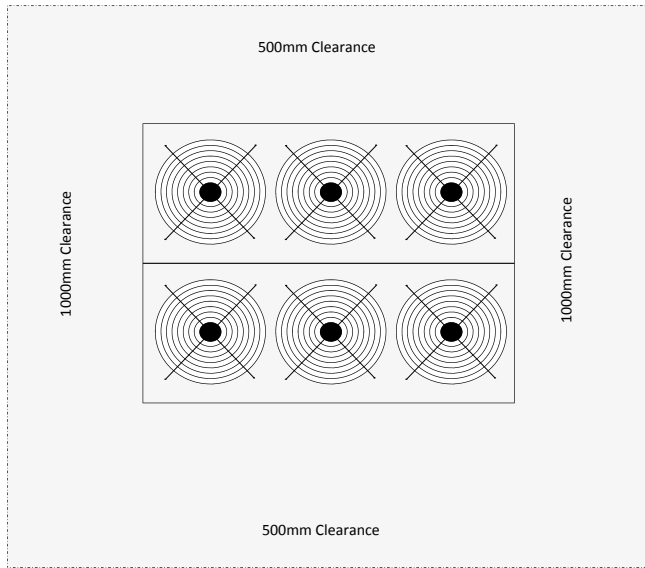


Model	7GP100-3v	7GP120-3v	7GP140-3v
Heating - kW Output - Pool ^{*4}	100	120	140
Heating - kW Output - Spa ^{*5}	63	85	95
kW Input	20.0	24.0	28.0
Phase	Three	Three	Three
Recommended D - Curve Circuit breaker Amps	80	80	80
Nominal Compressor Run Amps	15.2/Phase (x2)	20.0/Phase (x2)	24.5/Phase (x2)
Fan Full Load Amps	3.0 (x3)	3.0 (x3)	3.0 (x3)
Flow Rate - Litre/Second	Application Specific	Application Specific	Application Specific
Water Connections	Application Specific	Application Specific	Application Specific
Heat Pump Dimensions LxWxH - mm ^{*8}	2250 x 1100 x 2150	2250 x 1100 x 2150	2250 x 1100 x 2150
Weight - Kg	520	570	620
Air volume @ High Speed Litre/Sec	8000	8000	8000
Sound Pressure Level ^{*9} , high dB(A)	66	66	66

Note:

- ^{*4} kW Output values are nominal ratings based on 12°C Evaporating and 38°C Condensing Temperature.
- ^{*5} kW Output values are nominal ratings based on 0°C Evaporating 50°C Condensing Temperature.
- ^{*8} Dual Purpose Heat Pump Dimensions may vary
- ^{*9} Sound Pressure Measured at 3m in decibels re 20 µPa.

Models: 7GP200-3v • 7GP240-3v



Model	7GP200-3v	7GP240-3v
Heating - kW Output - Pool * ⁴	200	240
Heating - kW Output - Spa * ⁵	126	170
kW Input	40.0	48.0
Phase	Three	Three
Recommended D - Curve Circuit breaker Amps	160	160
Nominal Compressor Run Amps	15.2/Phase (x4)	20.0/Phase (x4)
Fan Full Load Amps	3.0 (x6)	3.0 (x6)
Flow Rate - Litre/Second	Application Specific	Application Specific
Water Connections	Application Specific	Application Specific
Heat Pump Dimensions LxWxH - mm * ⁸	2300 x 1735 x 2560	2300 x 1735 x 2560
Weight - Kg	1700	1700
Air volume @ High Speed Litre/Sec	16000	16000
Sound Pressure Level * ⁹ , high dB(A)	74	74

Note:

- *⁴ kW Output values are nominal ratings based on 12°C Evaporating and 38°C Condensing Temperature.
- *⁵ kW Output values are nominal ratings based on 0°C Evaporating 50°C Condensing Temperature.
- *⁸ Dual Purpose Heat Pump Dimensions may vary
- *⁹ Sound Pressure Measured at 3m in decibels re 20 µPa.



Phone: (09) 838 9444 P.O. Box 21-586
Fax: (09) 838 6223 Henderson
info@waterheating.co.nz Auckland
www.waterheating.co.nz New Zealand

**Specialising in Water Heating Since 1980,
NZ Designed & Manufactured, Consultancy,
Installation, After Sales Service.
Dual/ Multi Purpose and Custom Manufacturing
Nation Wide Authorised Dealer Network**